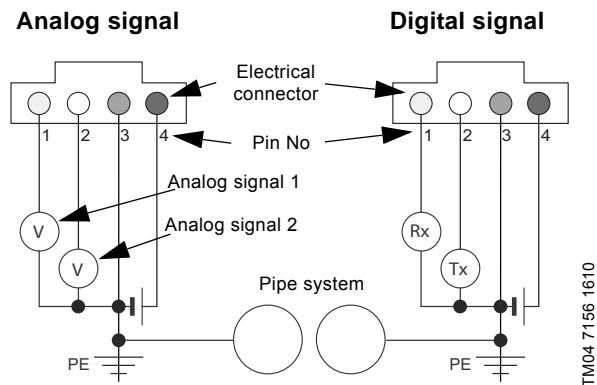


## Electrical connections



TM04 7156 1610

**Fig. 33** Electrical connections

Pin	Description Analogue signal	Description Digital signal	Colour
1	Temperature signal	Rx	Yellow
2	Pressure signal	Tx	White
3	GND, 0 V PELV	GND, 0 V PELV	Green
4	Voltage supply, +5 VDC	Power supply, +5 VDC	Brown

### Power supply requirements

- 5 VDC  $\pm$  5 %, PELV
- Ratiometric
- Max. 10 mV ripple: 50 Hz
- Min. output current: 25 mA
- Separated from hazardous live circuitry by double or reinforced insulation.
- Grounding of the sensor supply is required.