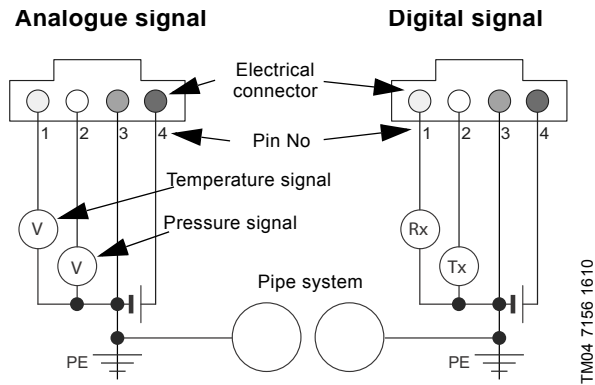


Electrical connections RPS, DPS



TM04 7156 1610

Fig. 106Electrical connections

Pin	Description Analogue signal	Description Digital signal	Colour
1	Temperature signal	Rx	Yellow
2	Pressure signal	Tx	White
3	GND, 0 V PELV	GND, 0 V PELV	Green
4	Voltage supply, +5 VDC	Power supply, +5 VDC	Brown

Power supply requirements

- VDC \pm 5 % PELV (Ratiometric)
- The sensor must be separated from hazardous live circuitry by double or reinforced insulation
- Maximum 10 mV ripple, 50 Hz
- Minimum output current 25 mA
- Grounding of sensor supply is required