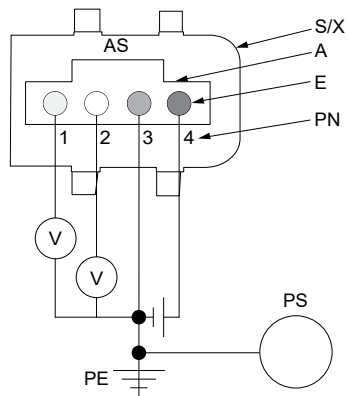


### 8.1.7 Electrical connections RPS8



TM050318

#### Electrical connections

Pos.	Description
S/X	Snap-on connector
A	Standard connector
E	Electrical connector
PN	Pin No.
PS	Pipe system
AS	Analog signal
PE	Protective Earth

Pin	Description	Colour
	<b>Analog signal</b>	
1	Temperature signal	Yellow
2	Pressure signal	White
3	GND, 0 V PELV	Green
4	Voltage supply, 6-30 VDC	Brown

#### Power supply requirements

- 6-30 VDC PELV
- The sensor must be separated from hazardous live circuitry by double or reinforced insulation.
- Minimum output current: 25 mA.
- Grounding of sensor supply is required.