



LC241 2x 9-23 DOL 3x400 IP CT  
99301422

Ver. 01

Supplier:

Grundfos A/S

Address:

Poul Due Jensens vej 7  
DK- 8850 Bjerringbro  
[www.grundfos.com](http://www.grundfos.com)

Technical Data

EN61439-3

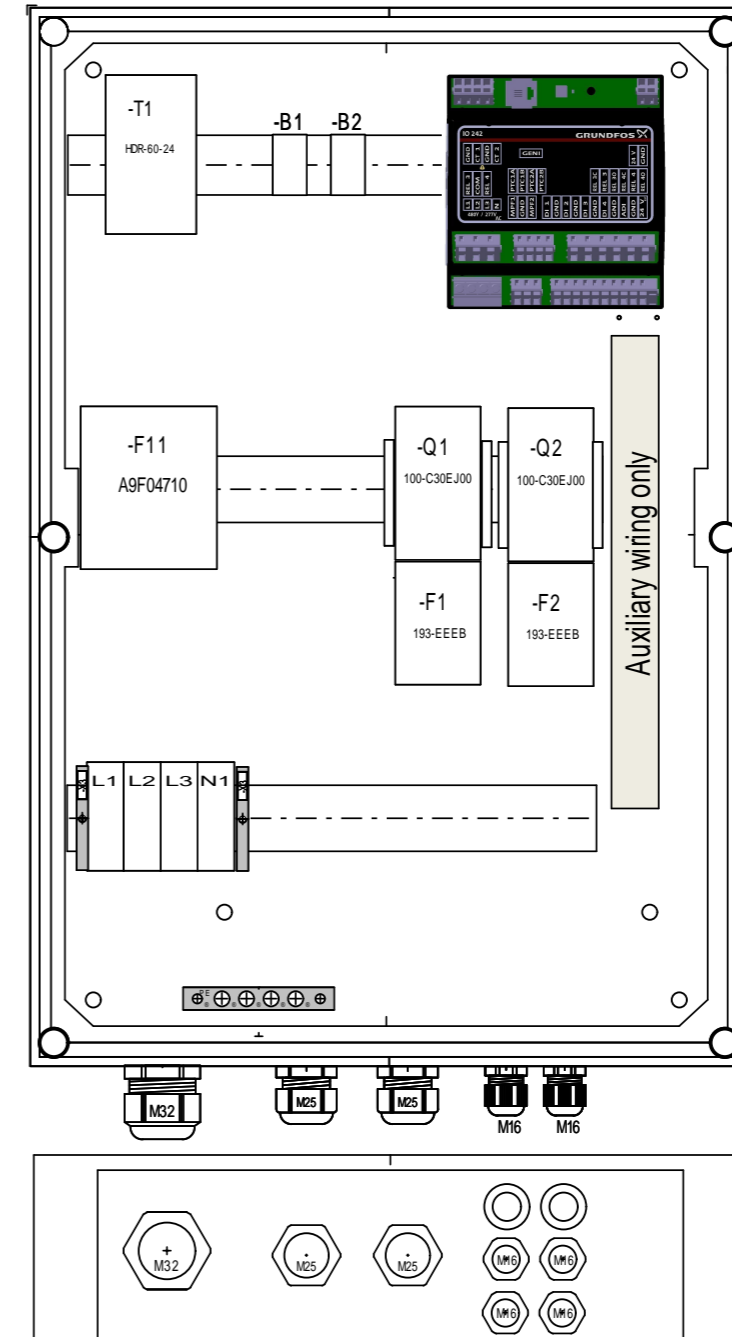
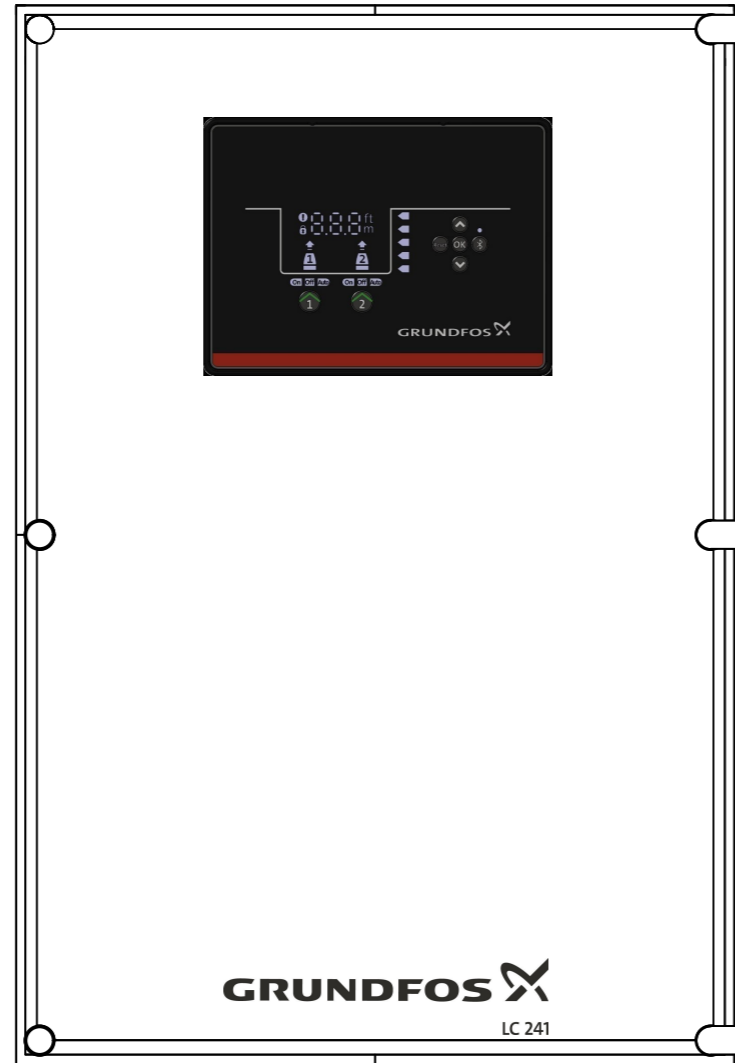
Main Supply	3x400VAC+N+PE
Frequency	50Hz
Grounding	TT
Icu	10kA
Rated Current	50A
Degree of protection	IP54
Ambient Temperature	-20°C to 45°C

Number of Main Pumps	2
Rated Current Main Pump	23A
Switch Mode Main Pump	Direct On-Line

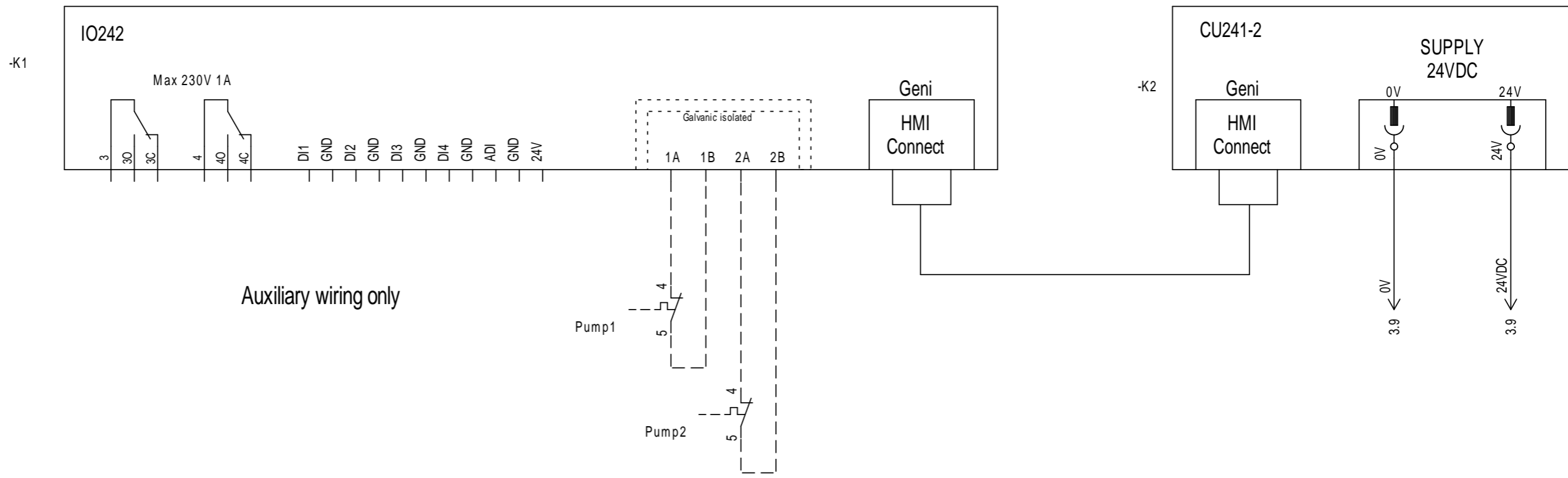
Wire Identification

Black	AC power circuits
Light Blue	Neutral wire
YE/GN	Earth conductor
Blue 0.5	DC control circuits









Auxiliary wiring only



## List of spare parts

Function (=)	Location (+)	Name (-)	Type	number	Grundfos Nr.	supplier	Manufacture	EAN 13
		-B1	DT152035	1.00	99339373	Dovitec	SiRio	
		-B2	DT152035	1.00	99339373	Dovitec	SiRio	
		-F1	193-EEEE	1.00	99339327	Allan bradley	Allen-Bradley	5703847862125
		-F2	193-EEEE	1.00	99339327	Allan bradley	Allen-Bradley	5703847862125
		-F11	A9F04710	1.00	99339232	Schneider Electric A/S	Schneider Electric	3606480441097
		-K1	IO242	1.00	99369842	Grundfos	Grundfos	
		-K2	CU241-2	1.00	99347488	Grundfos	Grundfos	
		-Q1	100-C30EJ00	1.00	99339266	Allan bradley	Allan bradley	5703847897233
		-Q2	100-C30EJ00	1.00	99339266	Allan bradley	Allan bradley	5703847897233
		-T1	HDR-60-24	1.00	99339339	Power Technic	MEAN WELL	
		-U6	1492-ERL35	1.00	99339368	Allan bradley	Allan Bradley	5703847870625
		-U7	1492-ERL35	1.00	99339368	Allan bradley	Allan Bradley	5703847870625
		-U14	1492-ERL35	1.00	99339368	Allan bradley	Allan Bradley	5703847870625
		-U20	1492-ERL35	1.00	99339368	Allan bradley	Allan Bradley	5703847870625
		-U21	1492-ERL35	1.00	99339368	Allan bradley	Allan Bradley	5703847870625
		-U22	PC5638	1.00	99425847	fibox	Fibox	6418074000132
		-U23	1492-ERL35	1.00	99339368	Allan bradley	Allan Bradley	5703847870625
		-U24	EKU30-G3FSH	1.00	99425818	fibox	Fibox	6418074010384
		-X1	DBL80	4.00	99376515	ABB	ABB	3472599856592